



INSTALLATION MANUAL SOLIDFLOOR ECO

Please contact the point of sale if you are unsure about any part of the installation and maintenance instructions or the warranty terms. Solidfloor ECO Comfort Click is a PVC-free flooring that feels soft and warm underfoot. The floors have sound-absorbing properties and are 100% waterproof. The advantage of Comfort Click is that an underlay is already integrated, allowing the floor panels to be placed directly on the subfloor.

- The floor must be acclimatized on the ground in the room where it will be installed for a minimum of 48 hours. The indoor climate should be between 16 and 23°C with a relative humidity between 40 and 60%.
- Do not install the floor in a room with a temperature lower than 16°C.
- The advantage of this series of floors is the integrated underlay. It is important, therefore, not to install any other underlay beneath the floor panels. If this happens, it may break the click connections.
- This floor should be installed as a floating floor. It is not suitable for gluing or other methods of fixation such as screws or nails.
- In damp areas, we recommend treating the floor with polyurethane adhesive at wall and sanitary connections. All floors from the Solidfloor ECO collection cannot be used as shower floors.
- There should be a minimum of 10 mm expansion space around all walls or other fixed elements (columns, kitchens, or baths) to allow the floor to expand. Maintain an expansion joint of at least 10 mm around all fixed objects and at transitions to other rooms or floor types, as well as along the walls. Expansion joints should never be filled with silicone, cables, etc. Trim all door elements and frames to accommodate a plank underneath. When installing door elements and frames later, ensure there is enough space for the floor to expand.
- In large or continuous spaces, expansion profiles should be used. For a floor area exceeding 10 meters in length or width, expansion joints (at least 2 cm in width) must be employed. This also applies when extending into other rooms.
- The floor should be interrupted at a doorway. Expansion joints can be neatly covered with profiles. Never install heavy, permanent, or structural elements like kitchen islands or stairs on top of the floor.
- Check if the floor panels are flawless and undamaged because the warranty only applies to hidden defects. If in doubt, please contact the point of sale.

Materials needed:

- Utility knife
- Ruler and pencil
- Vapor barrier (for installation over underfloor heating)
- Spacers
- Rubber mallet and tapping block

Subfloor:

Proper preparation of the subfloor is essential for achieving the desired results. The subfloor must be hard, completely flat, clean, structurally sound, free from cracks, and consistently dry (for concrete, maximum 2% moisture content). Additionally, the subfloor should be free from gypsum residues, adhesive, paint, or other imperfections to prevent telegraphing. For concrete subfloors, they must be hard, completely flat, and dry to prevent telegraphing. The subfloor must have a surface regularity level of SR1 (3 mm in 2 m ref BS8203).

Moisture in Subfloors:

If the residual moisture in the screed is higher than the specified values, a surface damp-proof membrane (DPM) must be installed, regardless of whether the floors are old or new. Always use a reliable construction moisture meter. The maximum allowable residual moisture is 2% for concrete screeds and 0.3% for calcium sulfate (anhydrite) screeds.

STURDY SUBFLOORS: CONCRETE / SAND-CEMENT SCREEDS

New and Old Floors

For all concrete floors, mechanically sand the floor to remove contaminants (cement slurry, paint, gypsum, glue, etc.), then prime the floor and apply a compatible leveling compound with a minimum thickness of 3 mm. If a moisture-resistant membrane (DPM) needs to be installed, it must be in place before applying the primer and leveling compound.

Burnished Concrete Floor

Burnished concrete floors should be sanded before applying a layer of primer. Sanding can be done using milling or light sandblasting. Floors should also be sanded where a moisture-resistant membrane (DPM) needs to be installed. The sanding process must take place before the moisture-resistant membrane (DPM) is installed. Subsequently, the floor should be primed before applying a compatible leveling compound (minimum 3 mm).

'Anhydrite' (calcium sulfate screed)

Anhydrite screeds are sometimes difficult to recognize and can be confused with more traditional cement-based products. If the screed is not dry enough, consult the manufacturer and ensure that the correct leveling compound is selected.

Painted Floors

Mechanically remove all paint back to the original base floor, apply a primer, and apply a compatible leveling compound with a minimum thickness of 3 mm.

Stone Tile / Mosaic / Terrazzo / Ceramic

Check if the floor is free from signs of moisture (e.g., color variations, irregularities). Use a reliable moisture meter to exclude moisture. If moisture is detected after testing, consult your supplier. Inspect the floor surface for unstable, loose, and broken tiles. Remove loose particles and fill deep holes with quick-drying concrete. Degrease, rinse and sand the surface of the floor. Apply a primer and a compatible leveling compound with a minimum thickness of 3 mm. A second layer of primer and leveling compound may be required to smooth out old tile joints.

WOODEN SUBFLOORS: STANDARD

(floorboards / Tongue and Groove / Chipboard / MDF / OSB)

Floorboards must be securely fixed, loose boards need to be firmly reattached, and worn/damaged boards should be replaced. The floor should be leveled using plywood or other suitable sheet material. Screw or nail the plywood sheets to the subfloor with a maximum spacing of 150 mm. Gaps should be smoothed with filler or alternatively, a complete layer of fiber-reinforced leveling compound can be applied.

Wavy Wooden Floors

These floors are not suitable for Solidfloor ECO floors.

OTHER EXISTING SUBFLOORS: - RESILIENT FLOORS

(e.g., linoleum, PVC, thermoplastic, carpet, cork, laminate)

Remove existing floors and all traces of adhesive residues. Then treat the subfloor as prescribed in the previous chapter.

Underfloor Heating

This instruction applies only to hot water-based underfloor heating and to underfloor heating with cooling, provided it is equipped with a condensation protector. Installation on electric underfloor heating is not permitted. Solidfloor ECO Comfort Click should not be installed on underfloor heating systems installed before 1990. These systems generally produce excessively high temperatures. For underfloor heating, the temperature of the subfloor must be and remain below 27°C everywhere. Before laying Solidfloor ECO Comfort Click on warm water underfloor heating, a vapor barrier must be installed. The vapor barrier should be raised at the walls to form a trough (approximately 2 cm deep). The ends of the foil should overlap by about 20 cm. Use tape to seal the ends securely. The heating system must be in operation for a minimum of 4 weeks following the supplier's startup protocol before laying the floor to prevent shrinkage and expansion of the subfloor. The supply temperature of the underfloor heating should not exceed 38°C. In case of doubt about the correct handling of the floor panels, do not proceed with installation but first contact your sales outlet for further advice. The final result depends largely on the conditions under which the floor panels are installed.

If you would like to know more about Solidfloor's warranty terms, please visit the website, where you will find all the necessary information.

STEP 1: DETERMINE THE LAYING DIRECTION

We recommend placing the end of the planks in the direction of the main source of light. In elongated rooms, the planks should be installed in the lengthwise direction of the room.

STEP 2: LAYING THE FIRST ROW

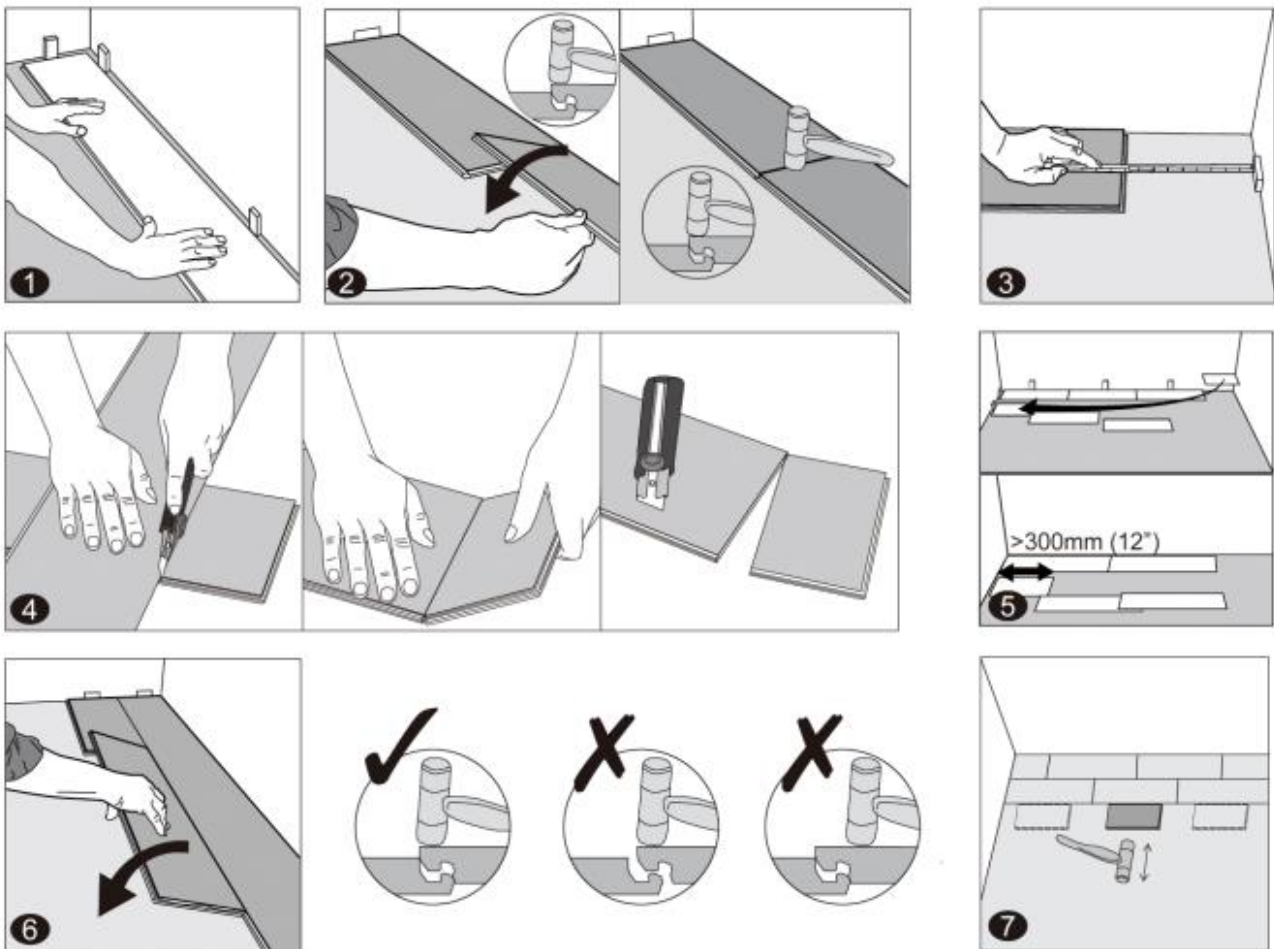
The first and last rows to be laid must have a minimum width of 10 cm. Leave a 10 mm gap around all walls and fixed elements to allow the floor to expand. You can use spacers for this purpose.

Installing Rows with Uni-Push/Drop-Lock Click Connection

With this type of click connection, it's important to work from left to right. Always place the first plank with the tongue side facing the wall, toward yourself. Click the short side of the next plank into the short side of the previously installed plank and tap it firmly with a rubber mallet. Continue laying the entire row. Mark the remaining length of the last plank in a laid row using a ruler. Use the utility knife and cut twice deeply along the marking. Break along the cutting line over a straight edge (e.g., the edge of a table). Install this piece.

STEP 3: THE SECOND ROW AND CONTINUING

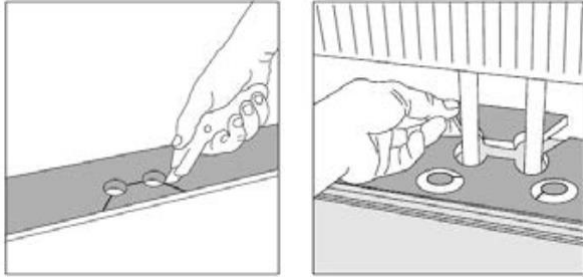
To start the next row, place the first plank in the lengthwise groove of the already laid row at an angle of approximately 30° and let it drop into place. The first plank of each row must have a minimum length of 30 cm. Additionally, end joints must stagger by at least 30 cm. Then, lower the plank so that the click connections align precisely. Tap them firmly with a rubber mallet. Ensure that there are no seams or raised edges visible or tangible, and that all floor panels fit seamlessly together. Use the rubber mallet and tapping block to secure the click connections on the long side properly. Continue working through the space in this manner.



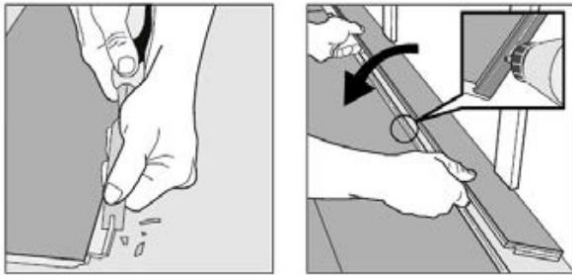
STEP 4: FINISHING AND SPECIAL CONSIDERATIONS

Heating Pipes

Cut round holes in the floor panels; the hole should be approximately 1 cm larger than the heating pipe. Cut through the holes so that the floor can be laid around the pipes. Finish these with a rosette.



When the placement of the plank is obstructed.



Remove the raised edge of the click connection as shown in the image above. Use suitable adhesive for attachment where necessary. Place spacers between the last floor panel and the wall until the adhesive has cured.

Expansion Profiles

If the floor extends into another room or the room is longer than 10 meters, consider using a mandatory expansion profile. Interrupt the floor at door openings (at least 2 cm) and install an expansion profile. This allows the floor to expand freely in the installed space.

Edges and Irregularities

With a utility knife or jigsaw, you can cut or saw out irregular shapes from floor panels. For example, when dealing with door frames or heaters, custom floor panels can be created in this way. A paper template makes this process easier.

Moist Areas

In moist areas, we recommend sealing the floor at wall and sanitary connections with polyurethane sealant. This floor cannot be used as a shower floor.

Finishing

After installation, remove spacers. Finish the wall with a neat baseboard, and where not possible, use a cover strip. The floor can be walked on and loaded immediately after installation.

Moving the Floor:

To remove the floor panels, first lift the entire row out of the joints, and then individually slide out the planks horizontally from the end connections. Do not lift the end connections during this process, as it can cause irreversible damage. Proper use of the click connections is the only way to ensure that the floor can be installed multiple times. Please note that the warranty becomes void after the floor has been installed for the second time.

Recycling the Floor:

All floors from the Solidfloor ECO Comfort Click collection are made of 100% polypropylene, a more environmentally friendly plastic than PVC and easily recyclable. The floor can be disposed of in plastic waste to enable recycling. The unique feature of Solidfloor ECO Comfort Click floors is their cradle-to-cradle (completely circular) recyclability. Therefore, it's essential to deposit the floor at the appropriate waste processing facility.

MAINTENANCE

Like anything you use daily, a floor you live on also needs maintenance. Fortunately, Solidfloor ECO is very maintenance-friendly and easy to care for. Solidfloor has developed two different products specifically for its floors.

Easy Clean

When it's time for the periodic deep cleaning and you want to thoroughly clean your floor, use Solidfloor Easy Clean. Always read the instructions before use.

Easy Protect

After intensive cleaning, use Solidfloor Easy Protect to give your floor a durable protective layer so it can withstand wear for a longer period.

TERMS – WARRANTY

Preventive Tips

Prolonged direct sunlight can damage your floor. Use curtains to minimize direct sunlight. Use a good doormat to prevent moisture and dirt from being tracked inside. Avoid rubber floor mats and black furniture caps. Provide chair legs and other furniture with high-quality felt caps and do not drag heavy objects across the floor. For furniture with wheels, ensure that the casters are suitable for a flat vinyl floor covering (not rubber). A floor mat under the office chair is recommended to prevent damage.

Warranty Conditions

This floor has been carefully produced. If, despite the period specified on the packaging from the purchase date, hidden material and/or manufacturing defects occur, the following warranty conditions apply:

- If you detect visible defects in the product after opening the packaging, you must report this to your point of purchase before installation.
- The warranty covers hidden manufacturing defects and can never exceed the value of the delivered material. Parts with visible defects should not be installed. In the case of damage, economic depreciation will be taken into account. The residual value is determined based on the remaining warranty period of your floor.
- Warranty claims can only be made with the presentation of an invoice or purchase receipt.

You can find the complete warranty conditions of Solidfloor on the website. If you have any questions, please contact the point of purchase.

Warranty Expiration

- In the case of damage due to wear and tear, damage, and tears to the wear surface resulting from improper use, falling objects, sand ingress, and/or processing with a sharp object.
- Due to rough and/or improper use.
- Due to any other careless use of the product in question.
- If it could be determined before processing that the product had a defect.

These warranty conditions do not affect your legal rights and obligations. CE14041 and EN649. Use Class 23/33 (intensive residential use and intensive commercial use).

We wish you a great living experience with your new Solidfloor ECO floor.

