

MANSION PLANKS DRYBACK

INSTALLATION MANUAL

IMPORTANT INFORMATION

If you are unsure about any part of the installation and maintenance instructions or the warranty conditions, please contact the point of sale.

Solidfloor Dryback is a flexible LVT flooring that feels soft and warm underfoot. The floors provide sound insulation and are 100% waterproof. Solidfloor Dryback is specifically designed for fully glued installation to the subfloor using adhesive or with a self-adhesive underlay. Please take the following into account:

Installation with LVT adhesive

- ▶ Use the Wakol fiber-reinforced adhesive for optimal stability. Due to the longer floorboards, this adhesive is necessary to use.
- ▶ If you choose to install the flooring with adhesive, ensure that the subfloor is professionally leveled. See the section on Subfloor for the standards that apply in this regard.

Installation with self-adhesive underlayment

- ▶ The self-adhesive underlayment levels up to 1 mm.
- ▶ For spaces larger than 100m² or longer than 10m, expansion joints (at least 1 cm wide) should be used. Expansion joints can be neatly covered with expansion profiles.

REQUIREMENTS GENERAL

- Cutting knife / utility knife
- Ruler
- Optional: Sealant (with caulking gun) + caulking tools

INSTALLATION WITH ADHESIVE (page 3)

- Dryback adhesive
- Adhesive comb
- Roller, minimum 50kg (you can rent this if needed)

INSTALLATION WITH SELF-ADHESIVE UNDERLAYMENT (page 5)

- Self-adhesive underlayment
- Tape

General:

- Allow the flooring to acclimatize in the packaging for at least 48 hours in the room where it will be installed.
- During and after installation, maintain room temperature between 18 and 27°C, and relative humidity between 40 and 65%.
- These floors are not suitable for installation outdoors or in areas that are consistently wet (saunas, swimming pools, and/or shower floors).
- Maintain a minimum 2.5mm expansion gap around all walls or fixed elements (pillars, kitchens, or baths) to allow the floor to expand and contract.
- Never install heavy, permanent, or structural elements such as kitchen islands or stairs on top of the floor.
- Check if the floorboards are flawless and undamaged, as the warranty only applies to hidden defects. If in doubt, please contact the point of sale.

Subfloor:

Proper preparation of the subfloor is essential for achieving the desired results. The subfloor must be hard, completely flat, clean, structurally sound, free from cracks, and consistently dry (for concrete, maximum 2% moisture content). Additionally, the subfloor should be free from gypsum residues, adhesive, paint, or other imperfections to prevent telegraphing. For concrete subfloors, they must be hard, completely flat, and dry to prevent telegraphing. The subfloor must have a surface regularity level of SR1 (3 mm in 2 m ref BS8203).

Moisture in Subfloors:

If the residual moisture in the screed is higher than the specified values, a surface damp-proof membrane (DPM) must be installed, regardless of whether the floors are old or new. Always use a reliable construction moisture meter. The maximum allowable residual moisture is 2% for concrete screeds and 0.3% for calcium sulfate (anhydrite) screeds.

View the Solidfloor installation instruction video online at:



Instructions with adhesive.



Instructions with self-adhesive underlay.

STURDY SUBFLOORS: CONCRETE / SAND-CEMENT SCREEDS

New and Old Floors

For all concrete floors, mechanically sand the floor to remove contaminants (cement slurry, paint, gypsum, glue, etc.), then prime the floor and apply a compatible leveling compound with a minimum thickness of 3 mm. If a moisture-resistant membrane (DPM) needs to be installed, it must be in place before applying the primer and leveling compound.

Burnished Concrete Floor

Burnished concrete floors should be sanded before applying a layer of primer. Sanding can be done using milling or light sandblasting. Floors should also be sanded where a moisture-resistant membrane (DPM) needs to be installed. The sanding process must take place before the moisture-resistant membrane (DPM) is installed. Subsequently, the floor should be primed before applying a compatible leveling compound (minimum 3 mm).

'Anhydrite' (calcium sulfate screed)

Anhydrite screeds are sometimes difficult to recognize and can be confused with more traditional cement-based products. If the screed is not dry enough, consult the manufacturer and ensure that the correct leveling compound is selected.

Painted Floors

Mechanically remove all paint back to the original base floor, apply a primer, and apply a compatible leveling compound with a minimum thickness of 3 mm.

Stone Tile / Mosaic / Terrazzo / Ceramic

Check if the floor is free from signs of moisture (e.g., color variations, irregularities). Use a reliable moisture meter to exclude moisture. If moisture is detected after testing, consult your supplier. Inspect the floor surface for unstable, loose, and broken tiles. Remove loose particles and fill deep holes with quick-drying concrete. Degrease, rinse, and sand the surface of the floor. Apply a primer and a compatible leveling compound with a minimum thickness of 3 mm. A second layer of primer and leveling compound may be required to smooth out old tile joints.

WOODEN SUBFLOORS: STANDARD

(floorboards / Tongue and Groove / Chipboard / MDF / OSB)

Floorboards must be securely fixed, loose boards need to be firmly reattached, and worn/damaged boards should be replaced. The floor should be leveled using plywood or other suitable sheet material. Screw or nail the plywood sheets to the subfloor with a maximum spacing of 150 mm. Gaps should be smoothed with filler or alternatively, a complete layer of fiber-reinforced leveling compound can be applied.

Wavy Wooden Floors

These floors are not suitable for dryback floors.

OTHER EXISTING SUBFLOORS:

- RESILIENT FLOORS

(e.g., linoleum, PVC, thermoplastic, carpet, cork, laminate)

Remove existing floors and all traces of adhesive residues. Then treat the subfloor as prescribed in the previous chapter.

FLOOR HEATING

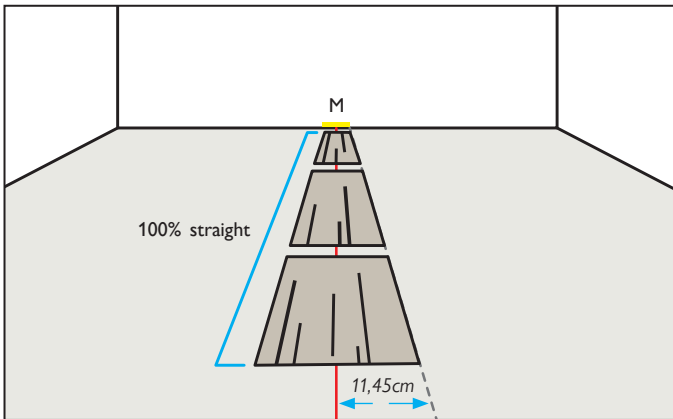
The floor may only be installed on warm water floor heating. The temperature at the surface should not exceed 27°C. If this cannot be guaranteed, a two-component adhesive should be used for gluing.

Please note: If the floor heating is turned off after installation (or accidentally turns off due to an automatic function or at night), gaps and cracks may appear. Depending on the indoor climate, a dispersion adhesive will be sufficiently cured within 72 hours. The thermoplastic-activated floor must not cool down during this period, as the elements will then shrink linearly and remain permanently adhered in this (smaller) shape.

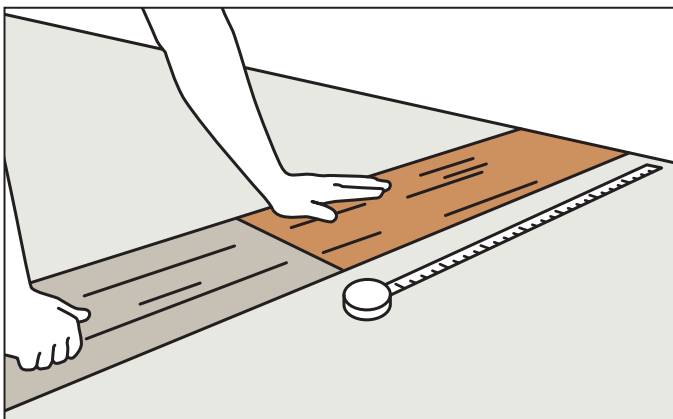
In a cooling system, the system must have a condensate protection, ensuring that the water in the floor pipes does not deviate more than 3°C from the room temperature. This instruction applies only to warm water-based floor heating and cooling systems with a condensate protection. Installing PVC Dryback on electric floor heating is not allowed. PVC Dryback should not be installed on floor heating systems installed before 1990, as these systems generally produce too high temperatures.

If you are uncertain about the subfloor, do not proceed with the installation; instead, contact your sales address for further advice. The final result depends greatly on the conditions under which the floorboards are laid.

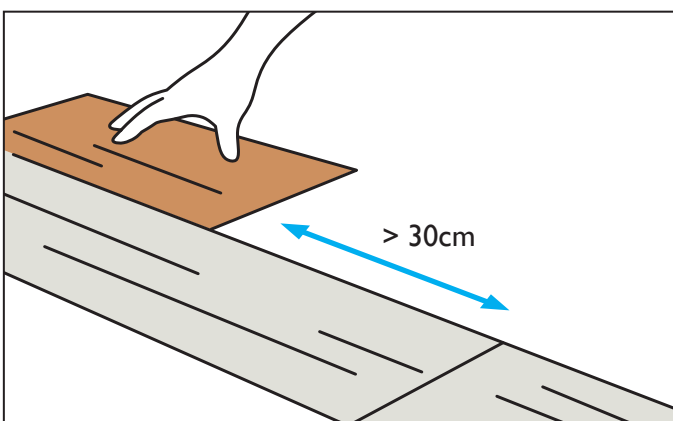
INSTALLATION WITH DRYBACK ADHESIVE (1)



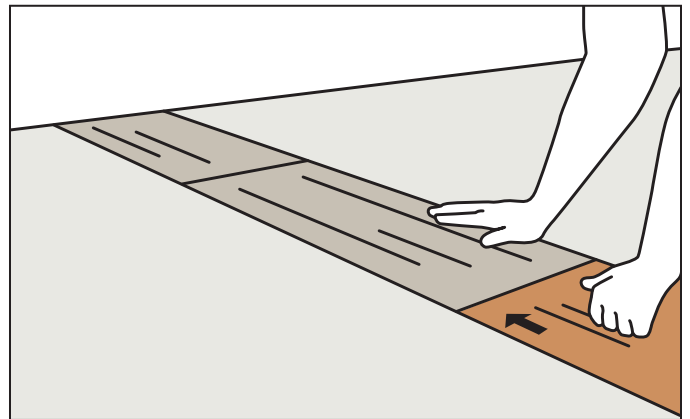
- 1 Handle the correct consumption, waiting time, and laying time according to the adhesive's instructions. Use the trowel to spread the adhesive. Lay the first row of Dryback planks exactly in the center of the room as indicated in the image.



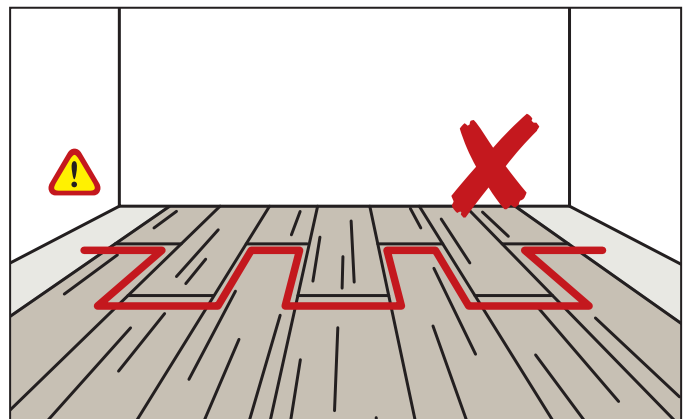
- 3 Carefully measure the last plank of the first row to fit it snugly against the wall or baseboard without tension.



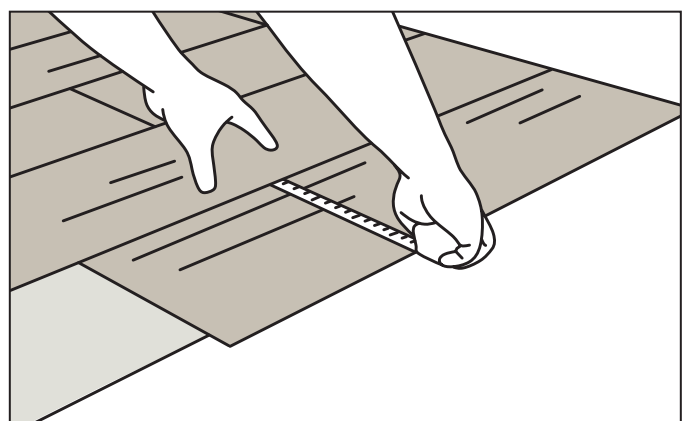
- 5 For the second and each subsequent row, take a new panel and determine its size (or use a leftover piece from one of the previous rows). Ensure that for planks, the seam of the short side differs by at least 30 cm from the seam of the short side of the previous row, and for tiles, it should be at least 20 cm. This will help create a natural and visually appealing pattern without repeating seams.



- 2 Place the planks side by side without tension. The floorboards must be rolled immediately after laying the adhesive. Always do this within the prescribed processing time of the adhesive. When installing the floorboards, make sure that there is a 2.5 mm expansion gap around all walls or other fixed elements (pillars, kitchen islands, or baths) to allow the floor to expand and contract.

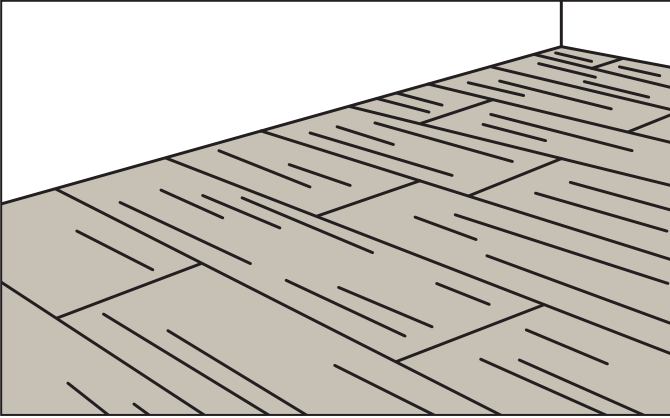


- 4 For a natural look, we recommend not using the remaining piece of the first row directly as the first piece in the second row. Avoid creating a recognizable and repeating distance between the panels, which would result in a stair-step effect. Planks should be installed randomly, and tiles can be installed in a straight, half-offset, or staggered pattern.



- 6 Place the second and each subsequent row without tension and connected to the previous row. This will ensure a smooth and even installation of the flooring.

INSTALLATION WITH DRYBACK ADHESIVE (2)

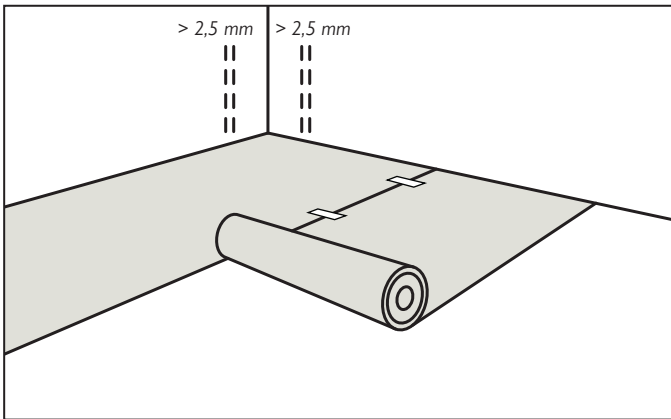


8 Remove adhesive residues (in case of installation with Dryback glue)

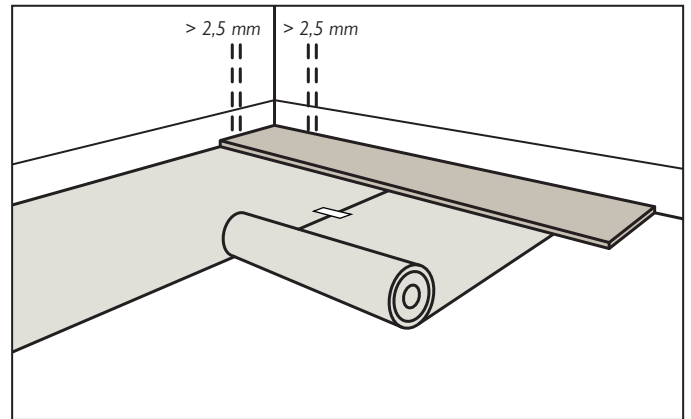
Remove adhesive residues (in case of installation with Dryback glue) by using a damp cloth, but never use solvents for this purpose. For dried adhesive stains, soak them with hot water and then gently remove them using a soft brush or a damp cloth. Be cautious not to use any harsh chemicals or solvents, as they may damage the flooring material.

- 7 Cut the last row along the wall or obstacles by measuring precisely or using templates. Install the last row without tension between the previous row and the wall, ensuring that the panel fits snugly without pushing other panels away. This will create a seamless and aesthetically pleasing finish to your flooring installation.

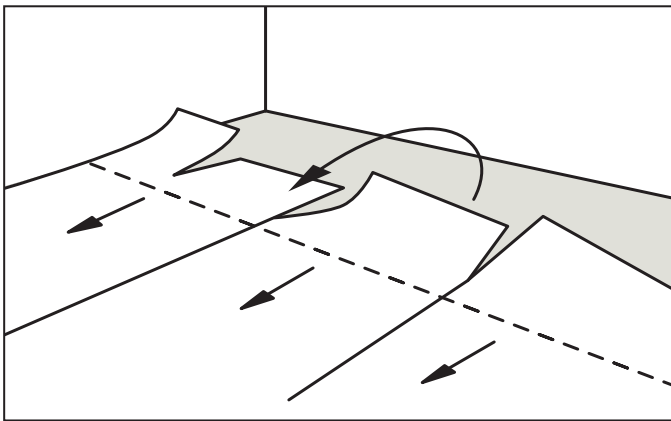
INSTALLATION WITH SELF-ADHESIVE UNDERLAY



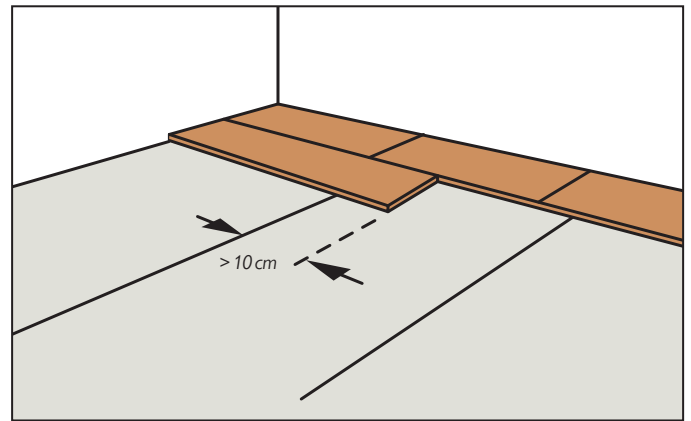
- 1 Roll out the self-adhesive underlay on the subfloor, with the protective film facing upward. The underlay can be easily cut to size using a utility knife. Place the underlay perpendicular to the direction of the flooring installation. Ensure there is a 2.5 mm gap between the underlay and the walls.



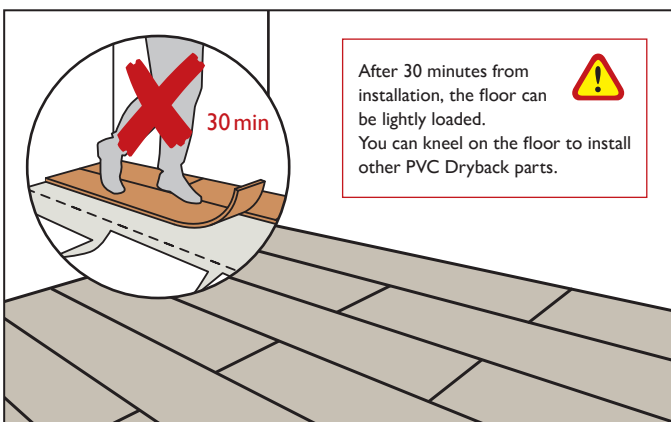
- 2 The adjacent underlay should be placed in such a way that the panels are perpendicular to the underlay. If necessary, secure the underlay together with tape.



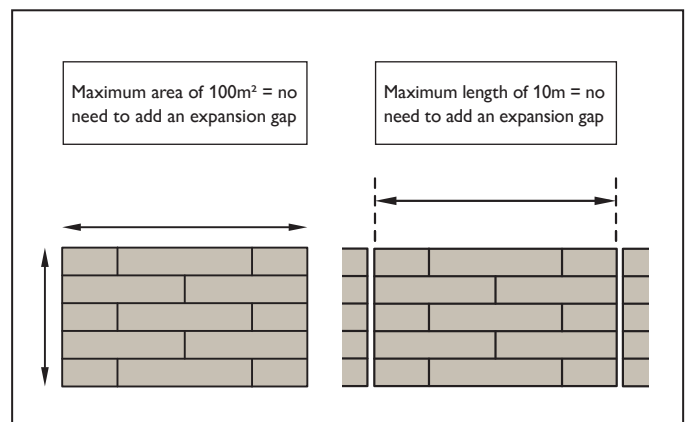
- 3 Remove the protective film from the underlay so that the self-adhesive layer is exposed. However, be cautious not to remove all the protective film at once, only peel off the first part necessary to attach the first floor panels. Ensure that the exposed adhesive layer remains clean to maintain its adhesive quality. Avoid walking or kneeling on the exposed adhesive layer at all times.



- 4 Place the first row of floor panels as straight as possible by tightly installing each floor panel. Deviations can disrupt the visual result of the floor throughout the entire space. You have a maximum of 10 minutes to reposition planks that are not correctly installed. However, do not do this more than 2 times, as it can reduce the adhesion of the underlay. Maintain at least a 10 cm overlap on the adjacent roll of underlay.



- 5 The PVC Dryback parts can be easily cut to size with a utility knife. Continue installing the entire space in this manner. After 30 minutes from installation, the floor can be carefully walked on. However, it is not recommended to place furniture or other heavy objects on the floor or to clean the floor until the adhesive is fully cured, which usually takes 24 hours. It's essential to follow these recommendations to ensure a successful and long-lasting installation.



- 6 Leave an opening of 2.5 mm along the perimeter of the walls. The maximum surface area that can be installed without additional expansion joints is 100 m². For larger areas, add extra expansion joints and increase all expansion joints to 5 mm. The maximum length of the floor surface in one direction that can be installed without additional expansion joints is 10 m. For a length greater than 10 m, an additional expansion joint is required, and all expansion joints should be increased to 5 mm.

SPECIAL FEATURES AND FINISHING

Humid areas

In damp environments, we recommend sealing the floor at connections to walls and sanitary fixtures with polyurethane sealant. Please note that this floor cannot be used as a shower floor.

Finishing

Finish the edges with a neat baseboard. After installation with the self-adhesive underlay, the floor can be walked on and loaded after 24 hours. The same applies to installation with PVC adhesive. If a different adhesive has been used, please follow the instructions provided for that adhesive.

MAINTENANCE

Just like everything you use on a daily basis, a floor you live on also needs maintenance. Fortunately, Solidfloor Dryback is very easy to maintain, making it simple to keep clean. Solidfloor has developed 2 different products specifically for its floors.

Easy Clean

When it's time for a thorough cleaning and you want to give your floor an intensive cleanse, use Solidfloor Easy Clean. Always read the instructions before use.

Easy Protect

After an intensive cleaning, use Solidfloor Easy Protect to give your floor a durable protective layer, so it can withstand wear and tear for a longer period.

TERMS AND CONDITIONS

Preventive Tips

Prolonged exposure to direct sunlight can damage your floor. Use curtains to minimize direct sunlight. Use a good doormat to prevent moisture and dirt from being tracked inside. Avoid rubber floor mats and black furniture caps. Use high-quality felt pads on chair legs and other furniture to protect the floor, and avoid dragging heavy objects across the floor. If using furniture with wheels, ensure that the wheels are suitable for a flat vinyl flooring surface (no rubber). Placing a floor mat under office chairs is recommended to prevent damage.

WARRANTY TERMS AND CONDITIONS

This floor has been produced with care. In the event of hidden material and/or production defects occurring within the specified period after the date of purchase, the following warranty conditions apply:

- If you notice visible defects in the product after opening the packaging, you must report this to your point of purchase before installation.
- Defects cannot exceed the value of the delivered material. Parts with visible defects should not be installed. Damages will be considered with economic depreciation taken into account. The residual value will be determined based on the remaining warranty period of your floor.
- Warranty claims can only be made with the presentation of the invoice or purchase receipt.
- You can find the complete warranty conditions of Solidfloor on the website.

If you have any questions, please contact your point of purchase.

Warranty voids:


- Damages due to wear, damages, and tears on the wear surface caused by improper use, falling objects, sand ingress, and/or usage of sharp tools.
- Rough and/or improper use.
- Any other careless use of the product.
- If a defect in the product could already be determined before installation.
- Usage of the material or application in unsuitable spaces.
- Installation on unsuitable subfloors or climatic conditions other than specified in these installation instructions.

These warranty conditions do not affect your statutory rights and obligations. Usage class 23/33 (intensive residential use and intensive commercial use).



Solidfloor

Abram Dudok van Heelstraat 4
1096BE Amsterdam
www.solidfloor.com

 www.facebook.com/solidfloor.nl

 www.pinterest.com/floortjesol

 www.instagram.com/solid.floor